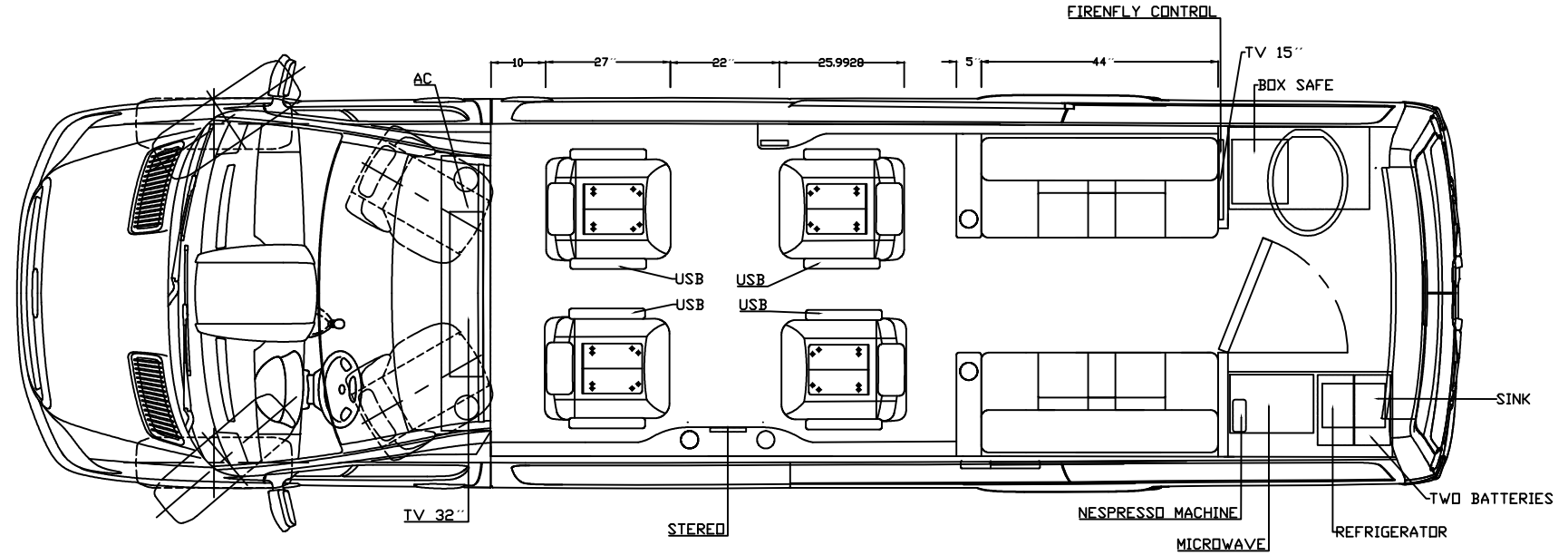


6 5 4 3 2 1

THE INFORMATION DISCLOSED ON THIS DRAWING IS PROPRIETARY. IT IS ISSUED FOR ENGINEERING USE ONLY AND MAY NOT BE REPRODUCED OR DISCLOSED, IN WHOLE OR IN PART, TO ANYONE WITHOUT THE DIRECT WRITTEN PERMISSION OF GRECH MOTORS LLC. PARTS OR TOOLS MANUFACTURED TO MEET THE REQUIREMENTS OF THIS DRAWING MAY NOT BE USED BY OR SOLD TO ANYONE WITHOUT THE DIRECT WRITTEN PERMISSION OF GRECH MOTORS LLC.

REVISION HISTORY

REV	DESCRIPTION	DATE	APPROVED
A	Creation of piece and Part #	08/05/2023	



D  
C  
B  
A

D  
C  
B  
A

UNLESS OTHERWISE SPECIFIED:							
DO NOT SCALE THIS DRAWING				ALL DIMENSIONS ARE IN INCHES			
ALL DIAMETERS TO BE CONCENTRIC TO COMMON CENTER LINE WITHIN .005 TIR.							
CYLINDRICAL SURFACES AND FACES TO BE SQUARE WITHIN .005 PER INCH							
THREADS PER ASA AND SAE STANDARDS				BREAK ALL SHARP EDGES $\frac{R}{16}$ OR $\frac{R}{32}$ CHAMFER			
XX-XXXX	HOLE DIAM.	TOL - .002	HOLE DIAM.	TOL - .002	HOLE DIAM.	TOL - .002	HOLE DIAM.
NEXT ASSEMBLY	1.00	+0.00	1.00	+0.00	1.00	+0.00	1.00
TOLERANCES ON:	DECIMALS	XXX-0.00	FRACTIONS	1/16	ANGLES	±1°	SURFACE FINISH
MATERIAL:	XXXXXX-XXXXXXX			FINISH: ---			
DRW: Clarisa Palafox	FABR: ---			AREA: ---			
CHECK:	APROV:			SCALE: 1/20			



SPEC CONTROL DRAWING:			
Sprinter 170 "PRIVATE CLASS"			
MODEL:	Sprinter RV 170 Ext.	CONFIG:	Black Market
SIZE:	A	PART NUMBER:	---
DRAWING NUMBER:	---	REVISION:	A
DATE:	11/05/2023	SHEET 1 OF 1	

6 5 4 3 2 1